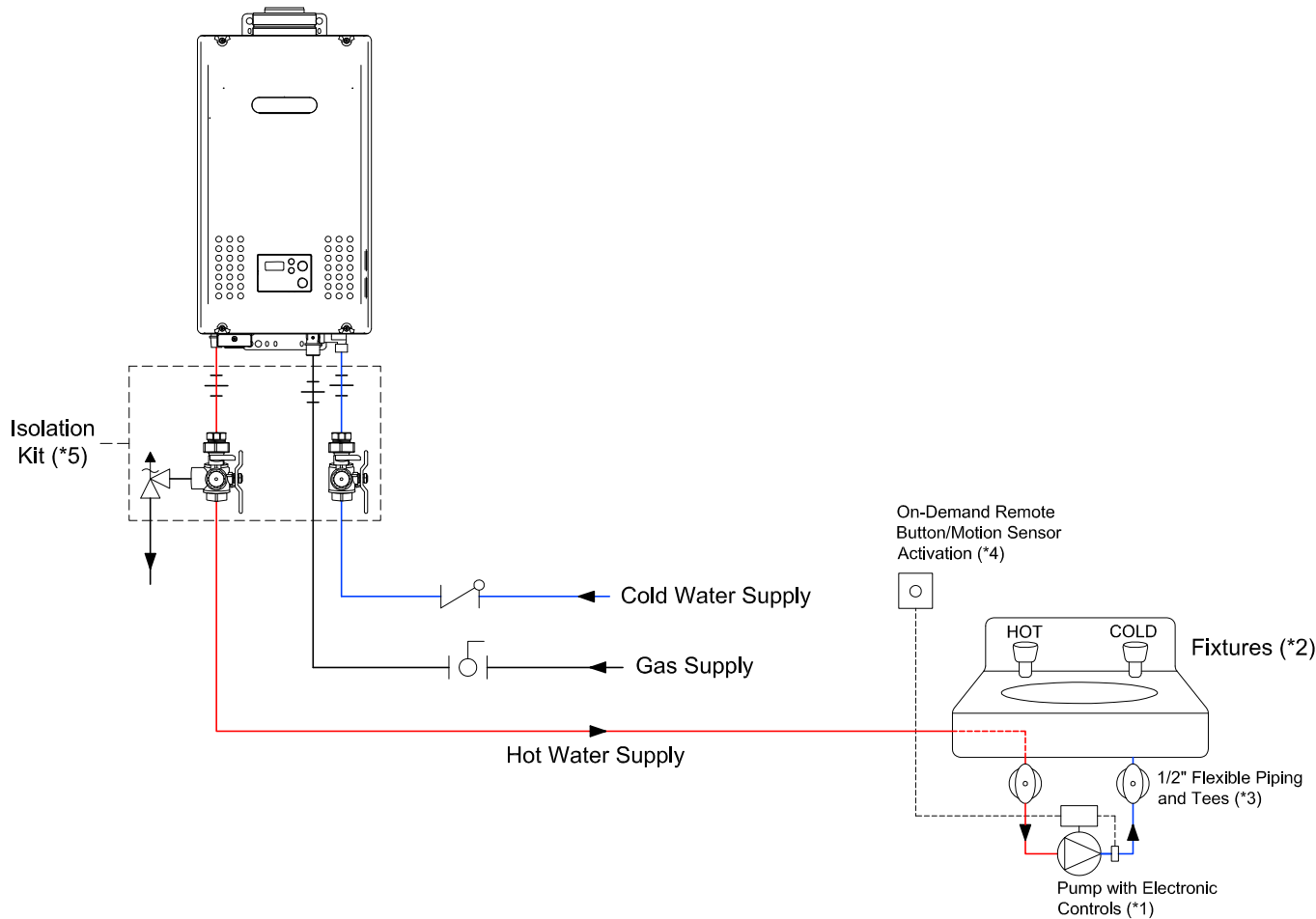


REVISIONS

REV.	DESCRIPTION	DATE	APPRVD.

Notes:

1. Choose the system with a properly sized pump to provide enough flow through the system with the head pressure equal to the loss through the water heater plus piping losses. Contact the manufacturer for available models and specifications to see which is most compatible with the plumbing system.
2. The best location when installing the pump and included accessories would be at the fixture that is farthest away from the water heater. In case hot water needs to be delivered to two different directions from the water heater, an additional On-Demand recirculation system may be needed.
3. Shut off the water supply to the system before proceeding with the installation of accessories.
4. On-demand recirculation systems are typically used in conjunction with a push-button or a motion sensor that is activated by the customer. This significantly reduces the number of operational hours on the water heater. The use of an on-demand system maintains the full 12-year (or 6500 operational hours) recirculation warranty on the water heater. Refer to the Noritz limited warranty for complete details.
5. Noritz recommends the use of Isolation Kit (IK-WV-7) with installation. These kits include an integrated shut-off and service valve with unions and a pressure relief valve.



NORITZ
 11160 Grace Avenue
 Fountain Valley, California 92708
 866-7NORITZ (866-766-7489)
 www.noritz.com

MODEL:
 NR83 Series

APPLICATION:
 Domestic Hot Water
 On-Demand Recirculation

DRAWING NUMBER:
 (2a3)NR83

DRAWING DATE:
 August 27, 2010

Noritz Accessories

Note: This diagram is for reference only. Installation must comply with State and Local Code, all gas and water pipe must be sized correctly to specific length, according to accepted engineering methods or the UPC Code for Noritz Water Heaters to operate correctly.

- | | | | |
|--|--|--|--|
| | Shut-off Ball Valve | | Aquastat (Honeywell Model #L6006A or L6006C) |
| | Check Valve | | Pump |
| | Union | | Mixing Valve |
| | Pressure Relief Valve (Watts 3L, Zurn P1000A, Cash Acme FWL-2) | | Thermal Expansion Tank |