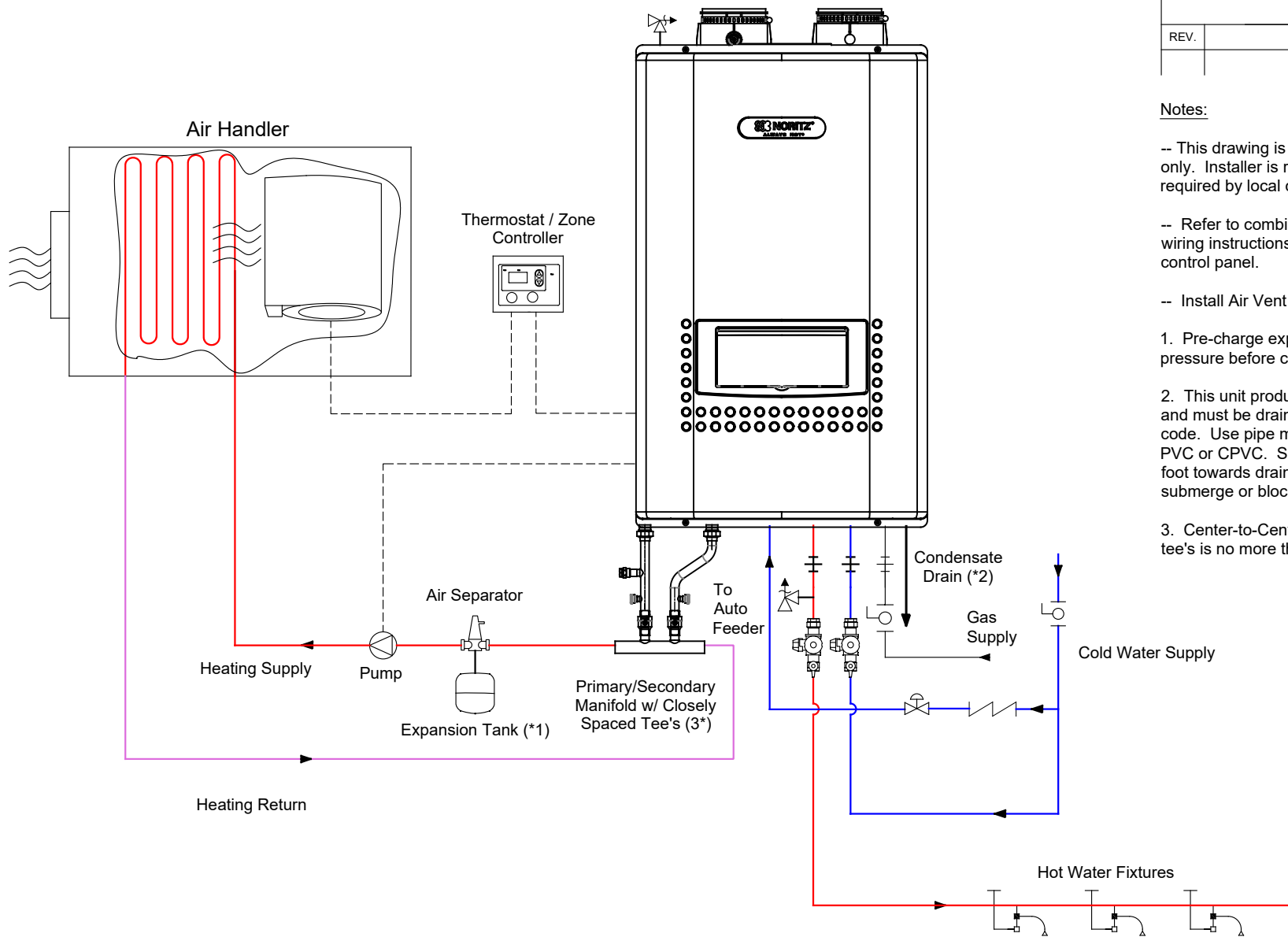


REVISIONS

REV.	DESCRIPTION	DATE	APPRVD.

Notes:

- This drawing is meant to show system piping concept only. Installer is responsible for all equipment & detailing required by local codes.
 - Refer to combi boiler installation manual for electrical wiring instructions and activating Heating modes with the control panel.
 - Install Air Vent at highest point in plumbing system.
1. Pre-charge expansion tank to heating system pressure before connecting to heating system piping.
 2. This unit produces acidic condensate during operation and must be drained and disposed according to local code. Use pipe material that will not corrode such as PVC or CPVC. Slope horizontal pipe downwards 1/4' per foot towards drain or condensate pump. Do not submerge or block end of drain pipe.
 3. Center-to-Center distance between closely spaced tee's is no more than 4 pipe diameters.



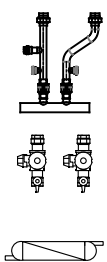
NORITZ
 11160 Grace Avenue
 Fountain Valley, California 92708
 866-7NORITZ (866-766-7489)
 www.noritz.com

MODEL:
 CB180 / CB199

APPLICATION:
 Primary/Secondary Heating
 Air Handler-External Pump
 Domestic Hot Water

DRAWING NUMBER:
 CB-AirHandler-ExtPump

DRAWING DATE:
 December 2018



Noritz Accessories

Primary/Secondary Manifold Kit
 (# MK-CB-1)

DHW Isolation Kit w/
 Pressure Relief
 3/4" (# IK-WV-200-1-[Th or SW])

Residential Neutralizer
 (# NC-1)

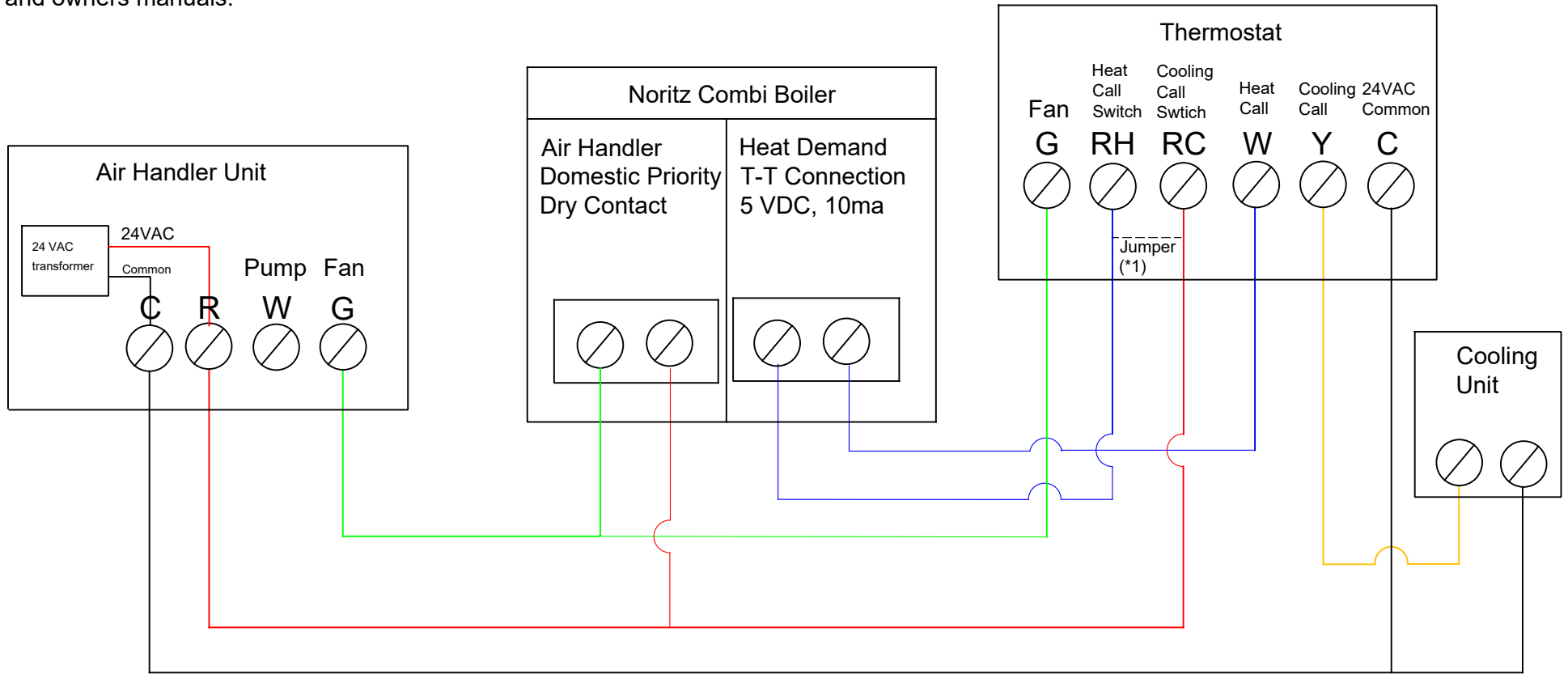
Note: This diagram is for reference only. Installation must comply with State and Local Code, all gas and water pipe must be sized correctly to specific length, according to accepted engineering methods or the UPC Code for Noritz Water Heaters to operate correctly.

- Shut-off Ball Valve
- Check Valve
- Union
- Pressure Relief Valve (Watts 174A, Zurn P3000BR, Cash Acme F-82)
- Aquastat (Honeywell Model #L6006A or L6006C)
- Pump
- Pressure Regulator
- Backflow Preventer

Notes:

1. Remove factory jumper at thermostat (RH to RC) for two transformer systems. Failure to do so will damage the Combi-Boiler circuit board.
2. Program the thermostat so that the Combi Boiler controls the air handler fan during heating. Otherwise, the air handler fan will NOT deactivate during domestic hot water demand and cold draft will occur.
3. Follow all other Combi-Boiler setup and configuration parameters detailed in the installation and owners manuals.

REVISIONS			
REV.	DESCRIPTION	DATE	APPRVD.



MODEL: NRCB180 / NRCB199
CB180 / CB199

APPLICATION:
Combi Boiler & Air Handler
(Heating & Air Conditioning)

DRAWING NUMBER:
Combi-Wire-AHU&AC

DRAWING DATE:
December 2018

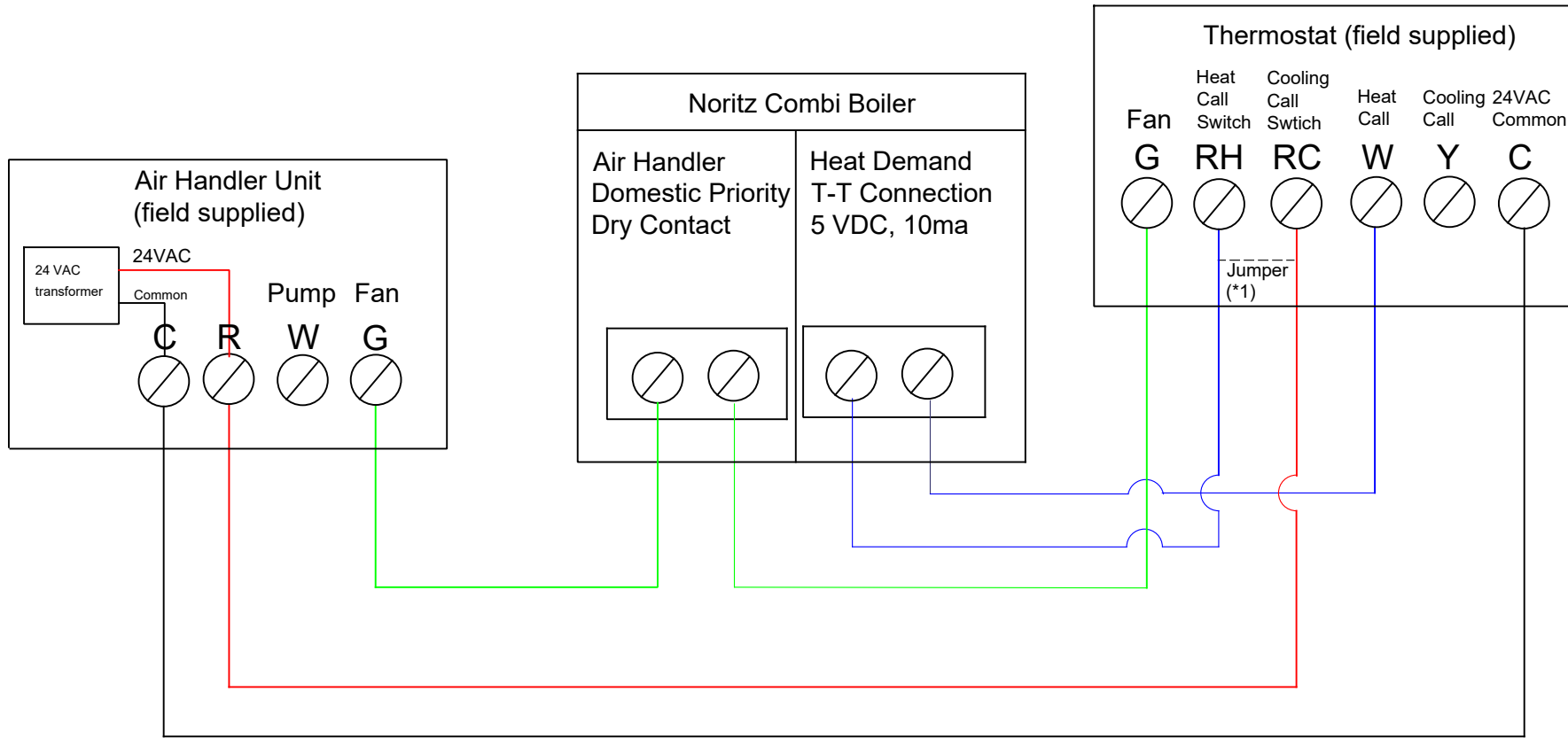
Noritz Accessories

Note: This diagram is for reference only. Installation must comply with State and Local Code, all gas and water pipe must be sized correctly to specific length, according to accepted engineering methods or the UPC Code for Noritz Water Heaters to operate correctly.

Notes:

1. Remove factory jumper at thermostat (RH to RC) for two transformer systems. Failure to do so will damage the Combi-Boiler circuit board.
2. Follow all other Combi-Boiler setup and configuration parameters detailed in the installation and owners manuals.

REVISIONS			
REV.	DESCRIPTION	DATE	APPRVD.



MODEL: NRCB180 / NRCB199
 CB180 / CB199

APPLICATION:
 Combi Boiler & Air Handler
 (Heating only)

DRAWING NUMBER:
 Combi-Wire-AHU

DRAWING DATE:
 December 2018

Noritz Accessories

Note: This diagram is for reference only. Installation must comply with State and Local Code, all gas and water pipe must be sized correctly to specific length, according to accepted engineering methods or the UPC Code for Noritz Water Heaters to operate correctly.